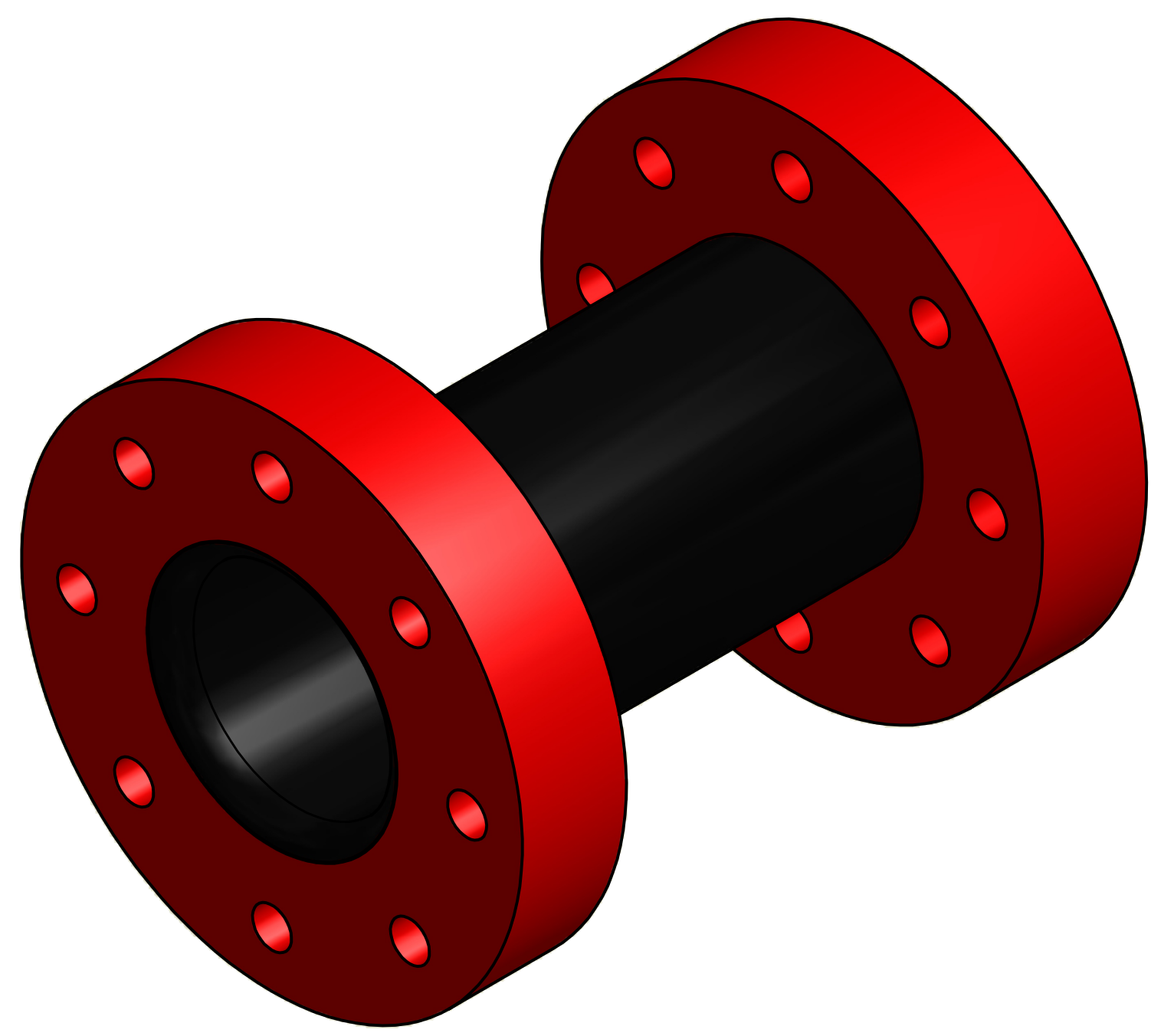
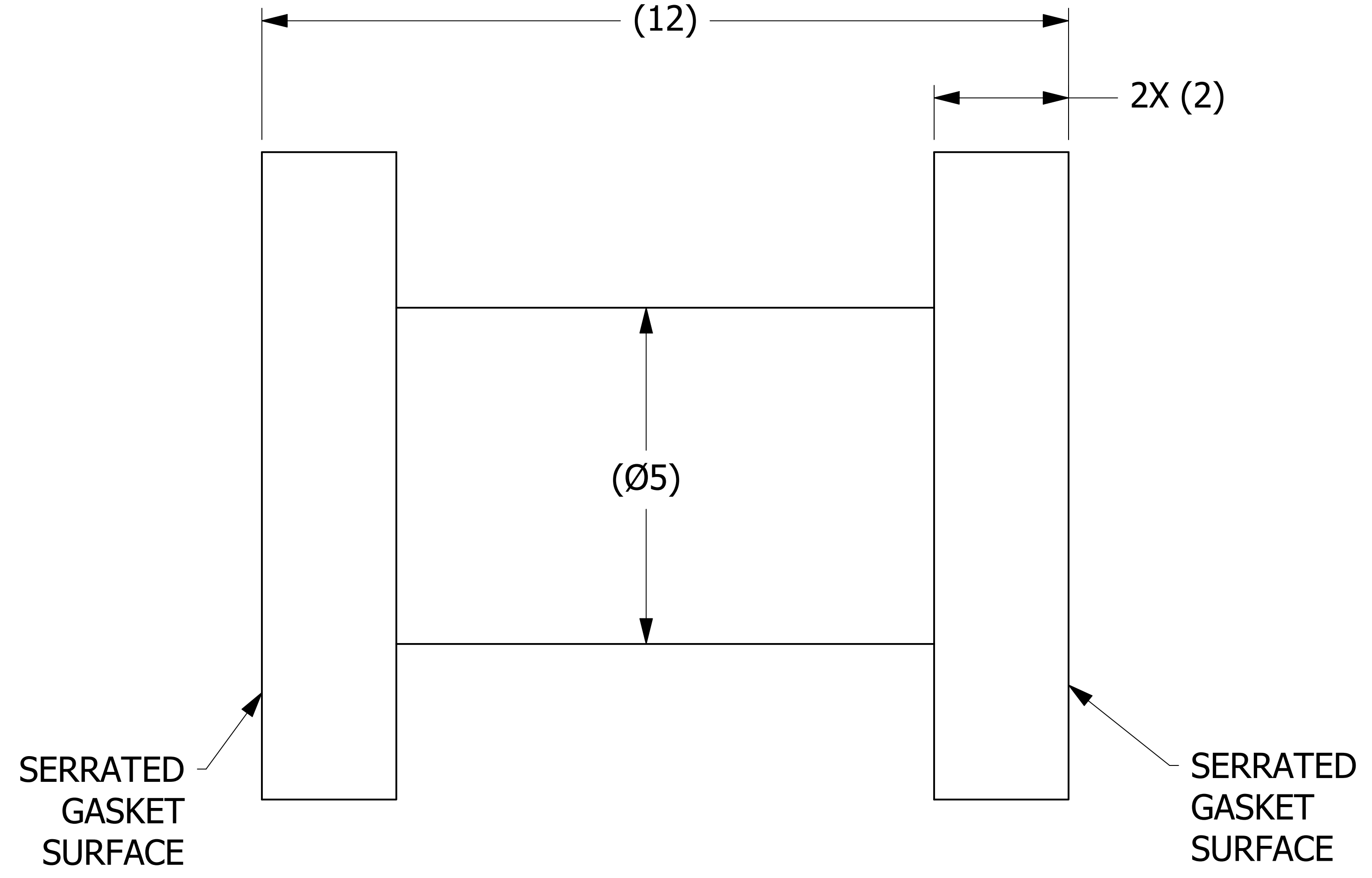
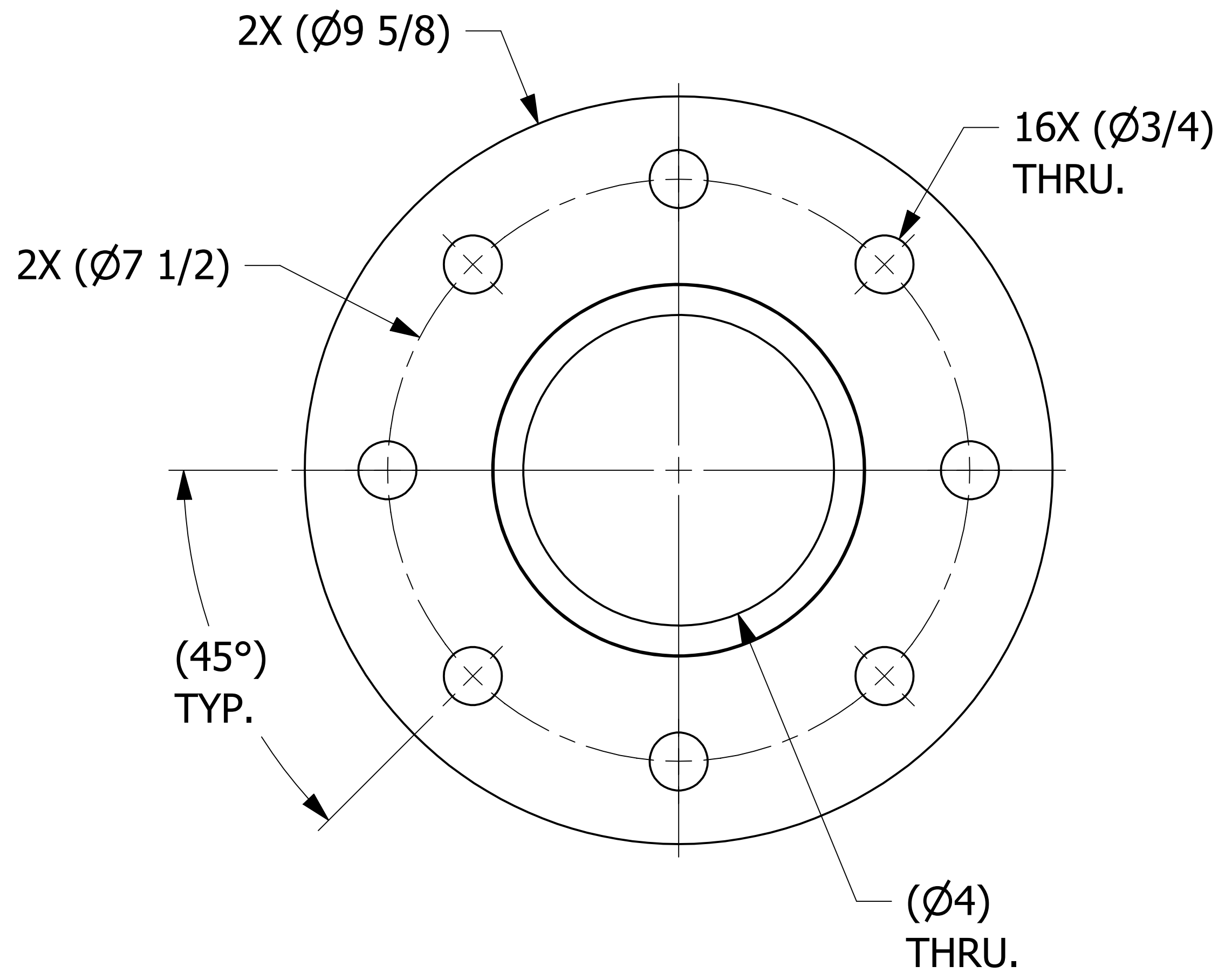


SALES DRAWING SALES DRAWING

SALES DRAWING SALES DRAWING



ISOMETRIC VIEW

UNLESS OTHERWISE SPECIFIED DIMENSIONAL TOLERANCES FRACTIONAL: ±1/16 X.XX: ±.03 X.XXX: ±.015 ANGULAR: ±1° DEBURR ALL SHARP EDGES. ALL MACHINED SURFACES TO HAVE A 125 RMS FINISH UNLESS NOTED OTHERWISE. THIRD ANGLE PROJECTION	DRAWN BY:	VD
	CHECKED BY:	AJB
	PROTOTYPE BY:	VD
	PROTOTYPE DATE:	6/23/2011
	APPROVED FOR PRODUCTION BY:	AJB
	PRODUCTION DATE:	8/30/2011

A	BG	8-30-11	NEW PART ADDED TO THE NETWORK
REV	BY	DATE	DESCRIPTION
PART NAME: PIPE SPOOL 4"			
MATERIAL: SALCO PE			
PROJECT #: 110623		SHEET #: 1 OF 1	
DRAWING #: D31014		PART #: HSSP4X12PBK	
SCALE: NTS			

THIS PRINT, PROPERTY OF SALCO PRODUCTS INC. CONTAINS PROPRIETARY INFORMATION AND MUST NOT BE COPIED, REPRODUCED, OR USED DETRIMENTALLY TO OUR INTEREST.